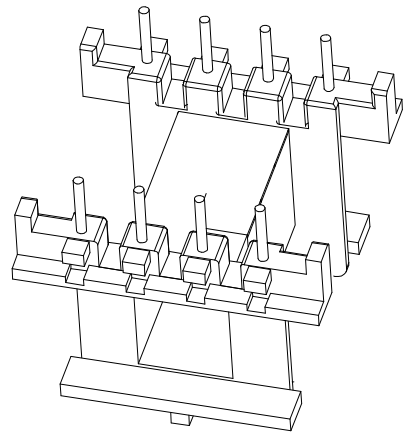
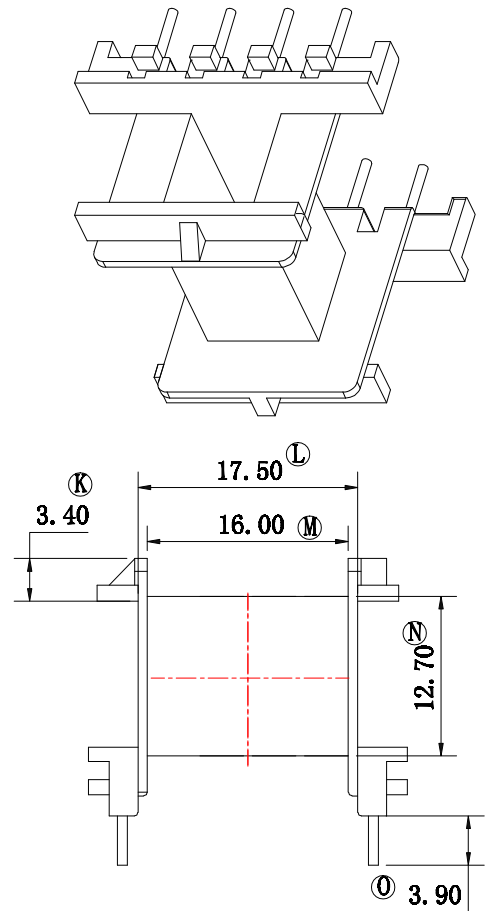
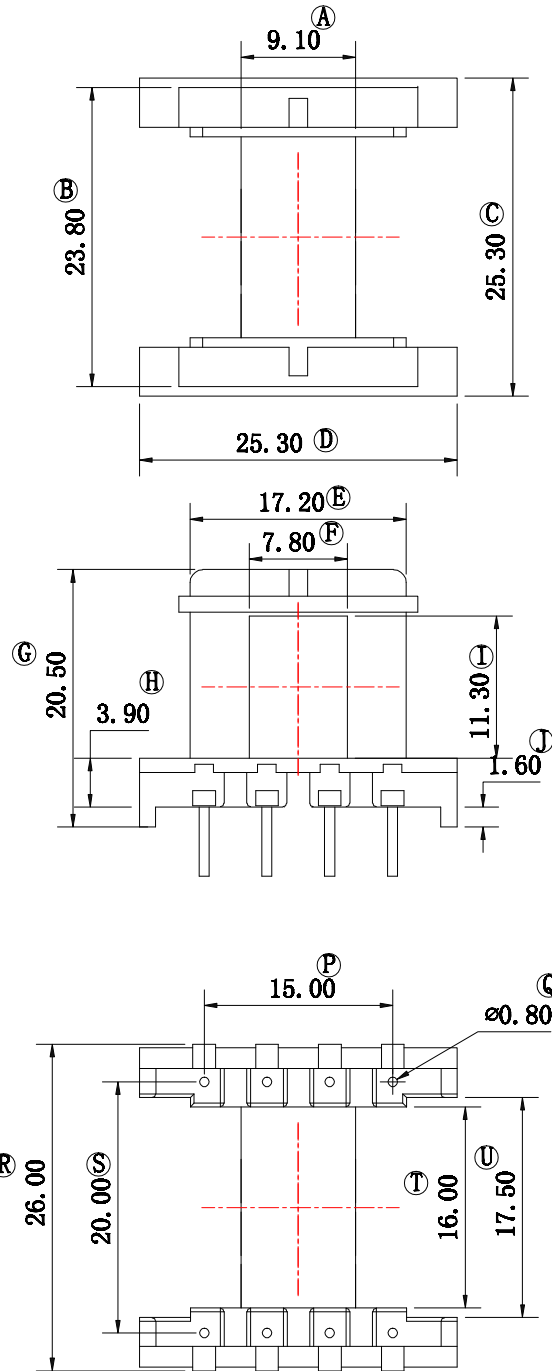


## FWB2508-J



REV	REVISION RECORD	DATE	REV	REVISION RECORD	DATE
A			C		
B			D		

NAME	EF25 4+4P	MATERIAL	PET	SCALE		ANGLE	± 1°
DRAWING NO.	FWB2508-J	PIN MATERIAL	CP WIRE	UNIT	m/m	REV	A
TOLERANCE OF PIN PITCH	± 0.20		<b>HAINING FERRIWO ELECTRONICS CO.,LTD.</b> TEL: +86-573-87088701 FAX: +86-573-87081130 Web: www.ferriwo.com Email: sales@ferriwo.com				
PIN TENSION LOAD	kg MIN	UL REC: 94V-0					
TOLERANCE: 0<L≤4: ±0.2 4<L≤16: ±0.3 16<L≤63: ±0.4							